



## INSX305 | Wall Mount Bracket

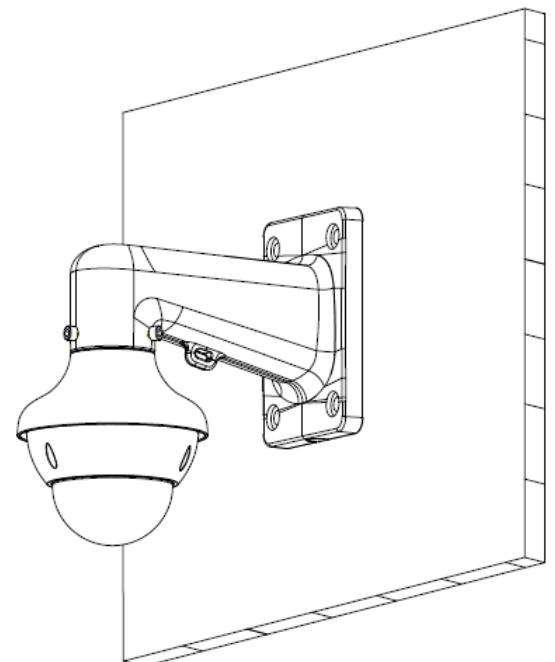
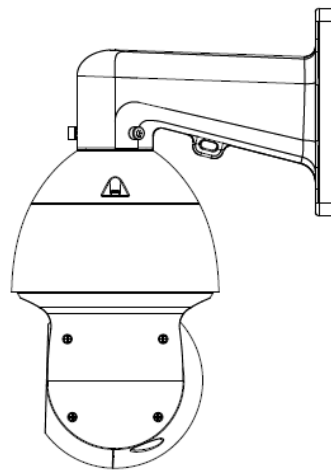
## Unify your Security Solution

In a highly fragmented industry, we have grown to become more than just a manufacturer. Time being our clients' more precious asset, we've adapted our methods and business structure to provide them with the best and simplest experience to ensure the protection of people, information and assets.

## Features

- Neat design.
- Wall mount bracket.
- Material: Aluminum.
- Safety rope hook attached, secure and reliable.

## Installation



### Package Information

- Wall mount Bracket \*1
  - M6 screw \*3
  - Wrench \*1

<b>Model</b>	<b>INSX305</b>
<b>General</b>	
Material	Aluminum
Dimension(WXHXD)	200mmx160mmx115mm(7.87"x6.3"x4.53")
Weight	0.87kg(1.92lb)
Load Bearing	5.0kg(11.02lb)
Color	White
Operating Temperature	-40°C ~60°C(-40°F ~140°F)
Humidity	<90% RH

## Dimensions (mm)

